

# 9450 S

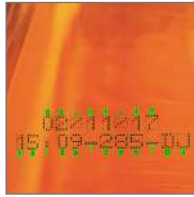
SECURED TRACEABILITY. HYGIENE. VERSATILITY.  
**THE PRINTER FOR BEVERAGE**

## SECURED TRACEABILITY, ALL THE WAY TO YOUR FINAL CUSTOMER ■■■

Optimize your TCO\* and operating expenses by 30%! Dedicated to the BEVERAGE industry, the 9450 S is more than just fast! The 9450 S combines state-of-the-art technology and expertise to ensure your product is coded right on its way out the door to the customer!



**30%\*** TCO reduction. Optimized additive and energy consumption.



**MARK & READ IT** directly on your user interface and check your code is right to prevent product recalls and waste.

**SMART** consumable system reduces errors and requires no setup.

## HIGH HYGIENE EXPECTATIONS, ONE CLEAN 9450 S SOLUTION ■■■

Wash it down as much as you need. Your 9450 S will be up and running regardless of intensive cleaning and humid environmental conditions.

**HYGIENIC** full stainless steel design, with no retention zones, allows for **EFFICIENT WASHDOWN** (full IP56/IP66).



MEK-free inks



One-way or returnable glass



Permanent anti-counterfeiting ink

## MULTIPLE CODING NEEDS, ONE VERSATILE INK SOLUTION ■■■

You'll only need ONE ink to code all your products! Metal cans, glass and PET bottles, pouches, liquid bricks, etc. ALL coded with the same high speed 9450 S printer and the same quick-drying, high-adhesion black ink.

GAIN TIME BY CODING ALL OF YOUR PRODUCTS WITH THE SAME PRINTER regardless of package size, printing area, substrate type, product treatment (pasteurization) and speed.



**PROMOTE YOUR BRAND** and carry out your marketing initiatives and campaigns by simply inserting a USB thumb drive.

TWO-LINE CODE ON **120,000** containers or packs per hour, all securely coded!



**ADDITIONAL HIGH PERFORMANCE CONTRAST INK** offer for dark glass substrates, including for returnable glass.



Non-erasable ink



One ink, multiple products

\*TCO: Total Cost of Ownership. Compared to other competitive models.

## PRINT FEATURES

- ▶ Mono-jet printhead
- ▶ G head (printing resolution: 71 dpi) or M head (printing resolution: 115 dpi)
- ▶ Up to 5 lines of print
- ▶ Print speed: up to 1,000 m/min
- ▶ Font height from 5 to 32 dots
- ▶ Character height: from 1 to 11.2 mm
- ▶ Wide choice of 1D and 2D barcodes: EAN8/EAN13/GS1-128/UPCA/UPCE barcodes, code 39, code 128, interleaved 2 of 5, Datamatrix, QR code
- ▶ Wide choice of characters: Latin, Arabic, Cyrillic, Hebrew, Japanese, Chinese, Korean, etc.

## INKS

- ▶ One black multipurpose ink for all beverage substrates: glass (RGB, OWB), PET, returnable PET, liquid bricks, cans, caps, pouches, shrink-wrap film, cartons, corrugated, paper
- ▶ Broad range of inks: white and orange inks for glass and pasteurization, black MEK-free ink, high adhesion permanent inks for liquid carton and PE caps and anti-counterfeiting inks

## OPERATIONS

- ▶ Message library (up to 1,000 messages)
- ▶ International operator/machine interface with a wide choice of languages
- ▶ WYSIWYG 7-inch wide touch screen: real-time display of remaining print capacity expressed in hours and number of messages; integrated assistance and alert system; simplified message printing and management; creation of user profiles; and tracking of consumption and printer availability
- ▶ USB and SD ports
- ▶ Jet Speed Control guarantees marking quality
- ▶ Automatic selection of fonts, depending on print speed and printhead/object distance
- ▶ Sealed 0.8-liter cartridges with fool proofing system
- ▶ Quick connect/disconnect of accessories (photocell, alarm and encoder). Parent/child connectivity.
- ▶ Ethernet connectivity
- ▶ Specific date management (rounding date function)

## OTHER CHARACTERISTICS

- ▶ Weight: 25 kg
- ▶ Table-top or vertical mounting
- ▶ Ultra-flexible 3-meter umbilical cable
- ▶ Stainless steel cabinet and printhead case
- ▶ Dust/humidity protection rating: IP56 not requiring plant air
- ▶ Operating temperature range: 0 to 45 °C depending on printer model and ink used
- ▶ Humidity: 10 to 90% non-condensing
- ▶ Electrical power supply: 100-120 V or 200-240 V with automatic switching; frequency 50/60 Hz; power 60 VA

## OPTIONS

- ▶ Promotional coding and Mark & Read
- ▶ 9450 Sc for pigmented ink use
- ▶ Ultra-flexible 6-meter umbilical cable
- ▶ IP66 protection (requires plant air)
- ▶ Ultrarapid mode for high-speed printing
- ▶ Enhanced autonomy kit
- ▶ Printhead pressurization kit
- ▶ RS-232/422 connectivity, parallel interface, many I/O possibilities to enable remote operation

## ACCESSORIES

- ▶ Printer supports: Quick format change stands (stainless steel or aluminum), table or wall mounting bracket
- ▶ Printhead stand (stainless steel) and different printhead brackets
- ▶ Photocells; encoders; alarm beacons (24 V)

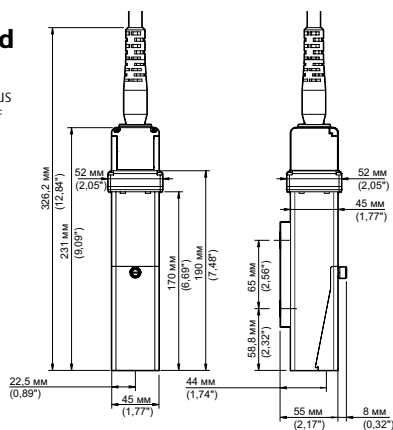
## SOFTWARE

- ▶ Compatible with CoLOS Create Professional and CoLOS Enterprise
- ▶ Logo creation with CoLOS Graphics
- ▶ OEM protocol compatibility: TetraPak fillers, Kronen Checkmat, Sidel, etc.
- ▶ Compatible with Weihenstephan standard

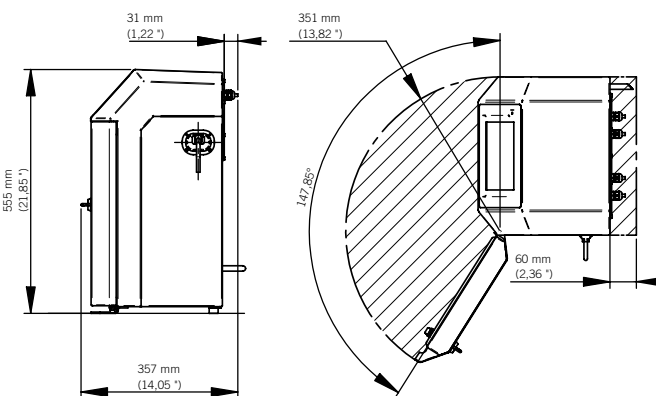
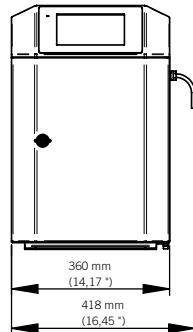
### Printhead

Minimum radius of curvature of the umbilical:

- Static: 100 (3.93 ")
- Dynamic: 150 (5.90 ")



### Cabinet



We reserve the right to amend the design and/or specifications of our products without notice.

Markem-Imaje  
Global Sales & Marketing Division  
9, rue Gaspard Monge  
B.P. 110  
26501 Bourg-lès-Valence Cedex - France  
Tél. : +33 (0) 4 75 75 55 00  
Fax : +33 (0) 4 75 82 98 10



markem·imaje

a DOVER company

To learn more,  
visit [www.markem-imaje.com](http://www.markem-imaje.com)